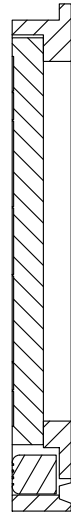
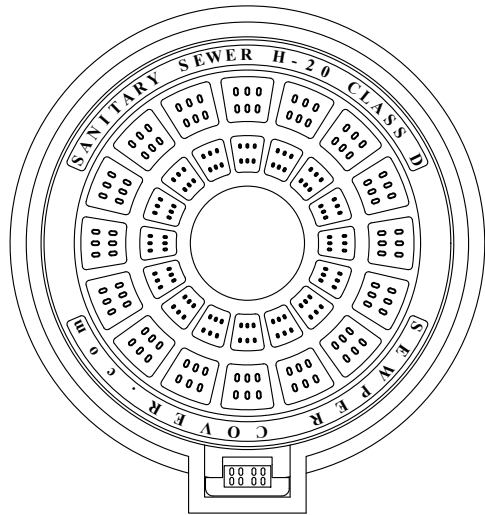
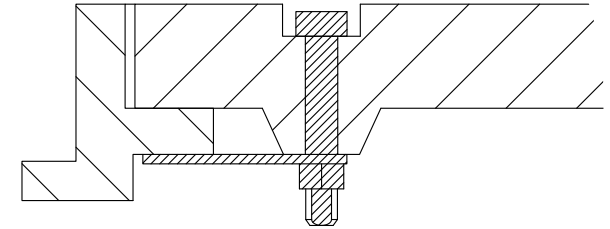


### ASSEMBLY VIEW

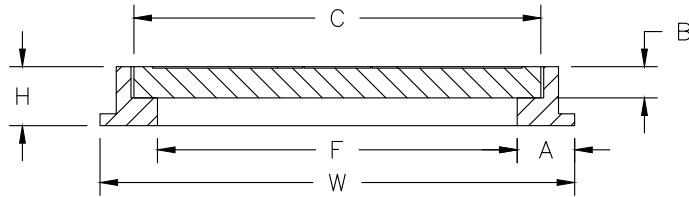
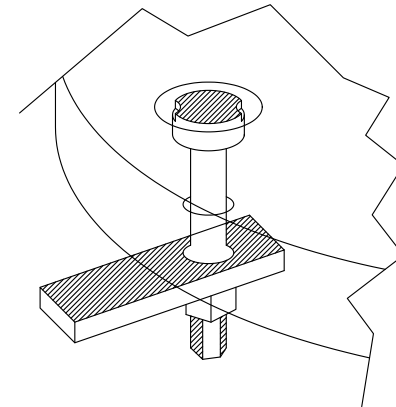


SECTION VIEW

### LOCK DETAIL



### LOCK CUT AWAY DETAIL



SECTION VIEW

**NOTES:**

UNIT MEETS ALL TCEQ DESIGN CRITERIA

DOT H-20 ASHHTO TRAFFIC RATED

LOCK IS REMOVABLE IF PICK TOOL IS DESIRED AND/OR VENT IS NEEDED

VENT HOLES CAN BE ADDED AS NEEDED (CONTACT FOR CUSTOM)

WORDS "SANITARY" OR "STORM" TO BE ADDED AS REQUIRED

PRODUCT SERIES	B	C	F	A	H	W	TOTAL WT. LBS	COVER WT. LBS
SCDH-2400	2.00	27.13	23.50	4.00	4.00	31.50	117	65
SCDH-3000	2.00	32.25	30.00	3.75	3.00	37.00	145	83

**IMPORTANT NOTICE**

WE WILL NOT PROCEED WITH ORDER OR FABRICATION UNTIL A SIGNED APPROVAL OF THIS DRAWING IS RECEIVED APPROVAL OR APPROVED AS NOTED (CIRCLE ONE)

BY: \_\_\_\_\_ DATE: \_\_\_\_\_

**SewperCover.com**

"North American Leader in HD/FRP Composite Non-Metallic Manhole Rings and Covers"

PHONE: 888.506.0822

info@SewperCover.com

TITLE: SewperCover Detail Sheet for Standard Double Hinged Non-Metallic Manhole Ring and Cover

PROJECT:

SCALE: NTS

DATE: 3.16.2016

PROJECT NO.: SCDH